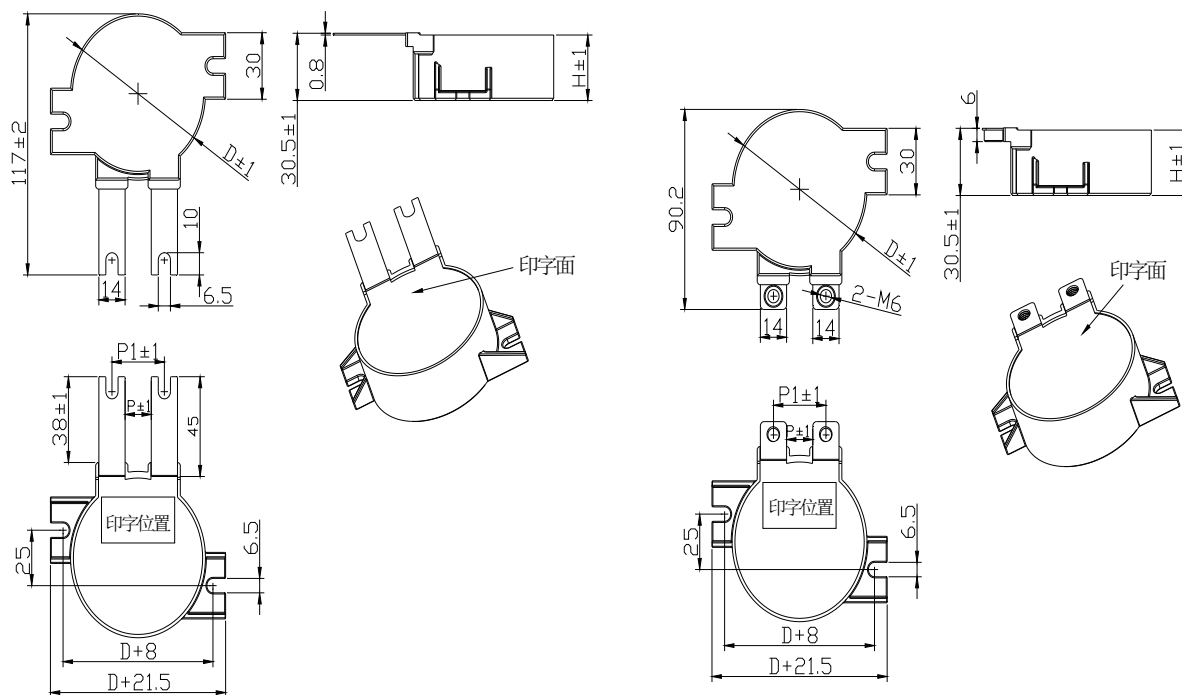


特点/ Features

- ◆聚丙烯薄膜介质
- ◆金属化聚丙烯薄膜
- ◆具有自愈性
- ◆低损耗，低自感
- ◆迈拉胶带,环氧树脂封装 (UL94-V0)
- ◆铝壳封装,阻燃环保塑料外壳

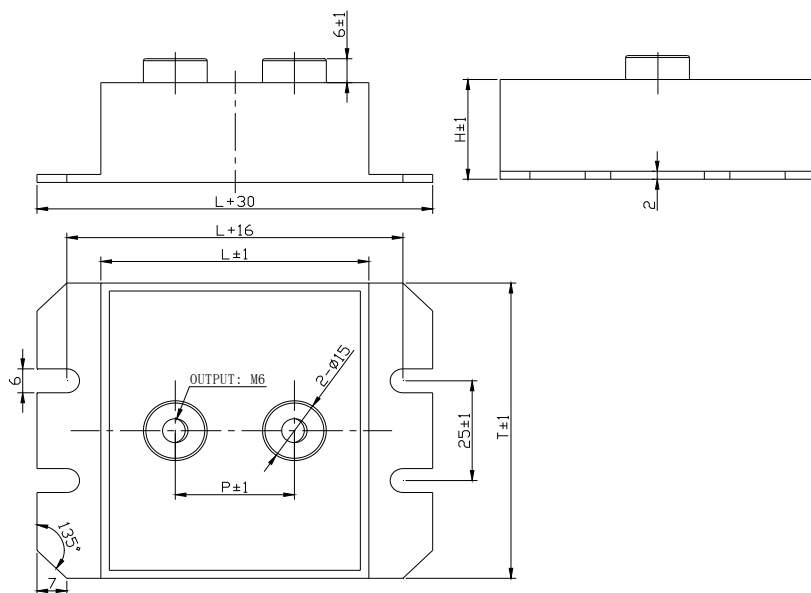
- Polypropylene film
- Metalized polypropylene film
- Self healing
- Low loss Low inductance
- Polyester tape wrapping. Epoxy fill (94-V0) ,
- Aluminum case , Resistant plastic case

引用标准	Reference standards :	IEC 61071-60068
使用温度范围	Operating temperature range	-40 to + 85°C(max hotspot≤70°C)
储存温度	Storage temperature	-40 to + 85°C
容量范围	Capacitance range	30~50μF
额定电压	Rated Voltage:	800Vdc
电容量偏差	Capacitance tolerance	± 5%(J) ± 10%(K)
绝缘电阻	Insulation resistance:	≥10000s after 1 minute of electrification at 100Vdc (25±5°C)
极间耐电压	Test voltage between terminals :	1.5Un applied for 10s at 25±5°C
极壳电压	Test voltage between terminals and case :	3.0 KV 50Hz for 60 sec
预期寿命	Life expectancy :	100,000 hours at Un and 70°C



Ordering Code	Cap (μF)	D (mm)	H (mm)	P1 (mm)	P (mm)	du/dt (v/μs)	Ls (nH)	Irms@45°C @10kHz	ESR@ 1.0kHz(mΩ)
Un 800v.dc Us 1200c									
CLK800K20-*#	20	72	29.5	28	14	70	25	50	2.3
CLK800K30-*#	30	72	29.5	28	14	70	25	60	2.0
CLK800K40-*#	40	72	29.5	28	14	70	25	70	1.7

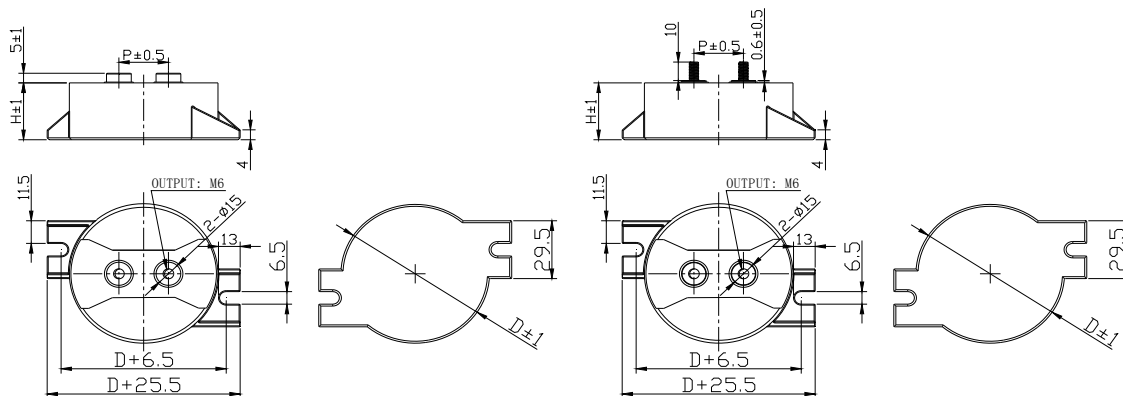
外形尺寸图:



Electrical specifications

Ordering Code	Cap (μF)	L (mm)	T (mm)	H (mm)	P (mm)	du/dt (v/ μs)	Ls (nH)	Irms@45°C @10kHz	ESR@ 1.0kHz(m Ω)
Un 800v.dc Us 1200c									
CLK800K20-*#	20	63	74	25	28	50	30	40	4.6
CLK800K30-*#	30	63	74	30	28	50	30	50	3.3
CLK800K40-*#	40	63	74	40	28	50	30	60	2.4
CLK800K45-*#	45	63	74	45	28	50	30	65	2.3
CLK800K50-*#	50	63	74	45	28	50	30	70	2.2

外形尺寸图:



Ordering Code	Cap (μF)	D (mm)	H (mm)	P1 (mm)	du/dt (v/ μs)	Ls (nH)	Irms@45°C @10kHz	ESR@ 1.0kHz(m Ω)
Un 800v.dc Us 1200c								
CLK800J20-*#	20	73.5	29.5	28	70	25	50	2.3
CLK800J30-*#	30	73.5	29.5	28	70	25	60	2.0